



# LED High Bay UFO-E

## FEATURES

**INTENDED USE:** The Venas Lighting UFO LED high bay is an affordable LED solution. It delivers comfortable and uniform lighting from mounting heights up to 39.4ft.

**CONSTRUCTION:** It features a black die-cast aluminum housing. Dark powder coat corrosion resistant finish provides long hours salt fog rating. Corrosion resistant external hardware standard.

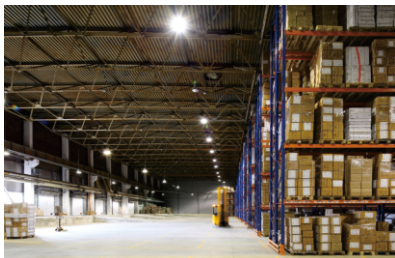
**OPTICS:** It provides 90/120(fixed) and 60-105(adjustable) degree spread of light.

**LISTINGS:** DLC/ETL/CE/CB/ENEC/EMC/SAA/IP65. For safe use in ambient temperatures from -40°F (-40°C) to 131°F(+55°C).

**WARRANTY:** 5-year limited warranty.

**APPLICATION:** Warehouse, airports, exhibition centers, shopping centers, supermarkets, stadiums, toll stations, subways, etc.

**NOTE:** Actual performance may differ as a result of end-user environment and application.



U- xxxW E X Y Z T X X

UFO Light

80-240W

E Represents Series E

Shell  
1= Shell 1,  
2= Shell 2,  
3= Shell 3,  
...

Y=N  
Represents Non-dimmable,  
Y=D  
Represents Dimmable

Z Represents CCT  
22=2200K,  
27=2700K,  
30=3000K,  
40=4000K,  
45=4500K,  
50=5000K,  
55=5500K,  
65=6500K

T=D90  
Represents 90°,  
T=D120  
Represents 120°

X=A, B  
Represents Light Efficiency  
X=A  
Represents 130lm/W,  
X=B  
Represents 170lm/W

X=277  
Represents 120-277V,  
X=347  
Represents 120-347V

# TECHNICAL DATA

Model	U-80WE1YZTXX	U-100WE1YZTXX	U-120WE2YZTXX	U-150WE2YZTXX	U-180WE2YZTXX	U-200WE3YZTXX	U-240WE3YZTXX
LED Power(W)	80	100	120	150	180	200	240
Light Efficiency One	130lm/W						
Light Efficiency Two	170lm/W						
Input Voltage	120-277V/120-347V						
Lumen(Lm) One	10400	13000	15600	19500	23400	26000	31200
Lumen(Lm) Two	13600	17000	20400	25500	30600	34000	40800
CRI	70/80(optional)						
PF	>0.9						
CCT	2200K / 2700K / 3000K / 4000K / 4500K / 5000K / 5500K / 6500K						
Beam Angle	90°/120°(fixed); 60°-105°(adjustable)						
Product Size(mm)	Φ248×H167	Φ248×H167	Φ289×174	Φ289×174	Φ289×174	Φ336×191	Φ336×191

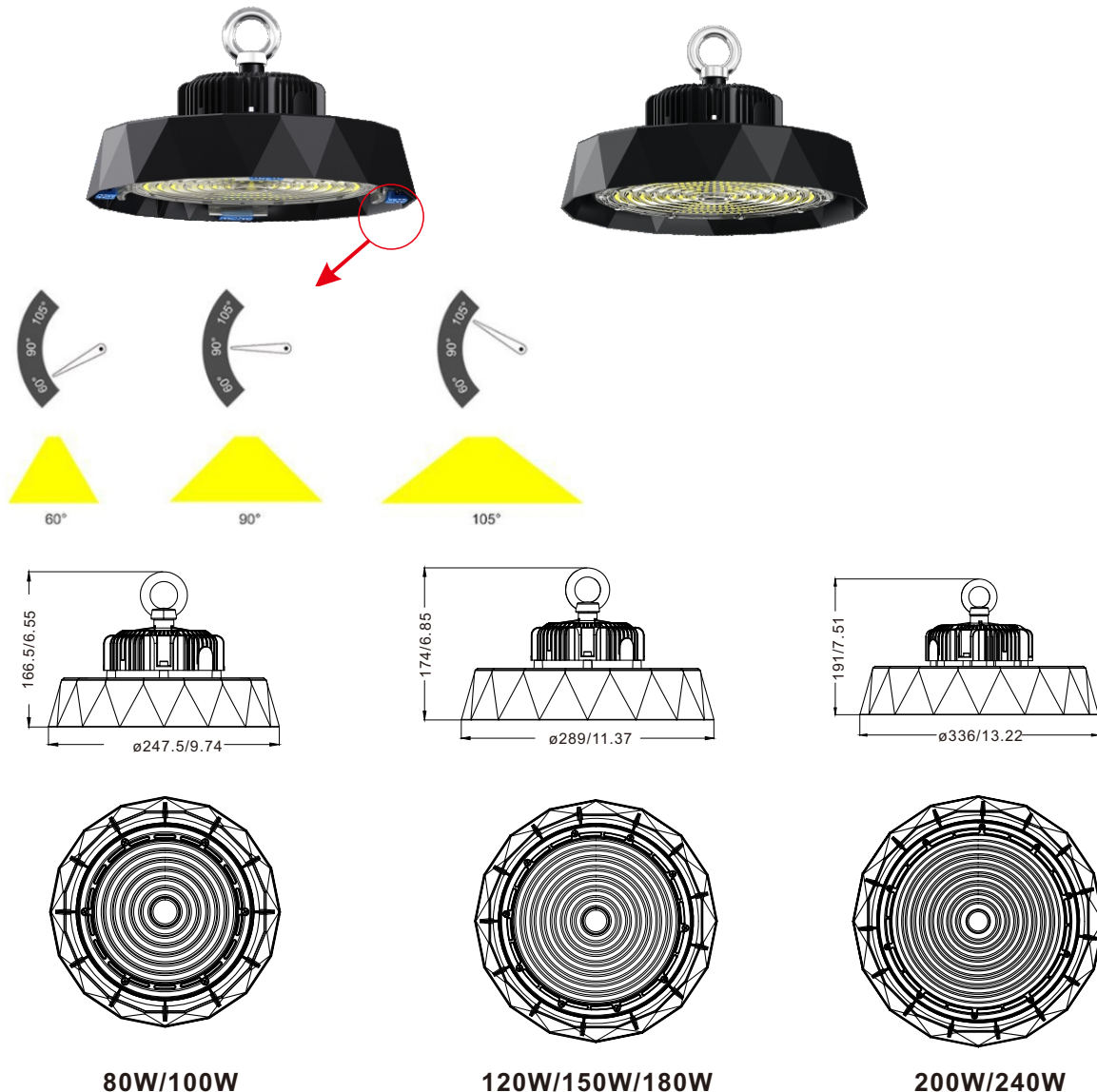
# PACKAGE INFORMATION

Model	Wattage(W)	Product Weight	Package Weight	Package Size(L×W×H)	PC/Carton
E1	80/100	2.1KG	2.6KG	294×294×180mm	1
E2	120/150/180	2.6KG	3.3KG	336×336×200mm	1
E3	200/240	3.6KG	4.5KG	387×387×210mm	1

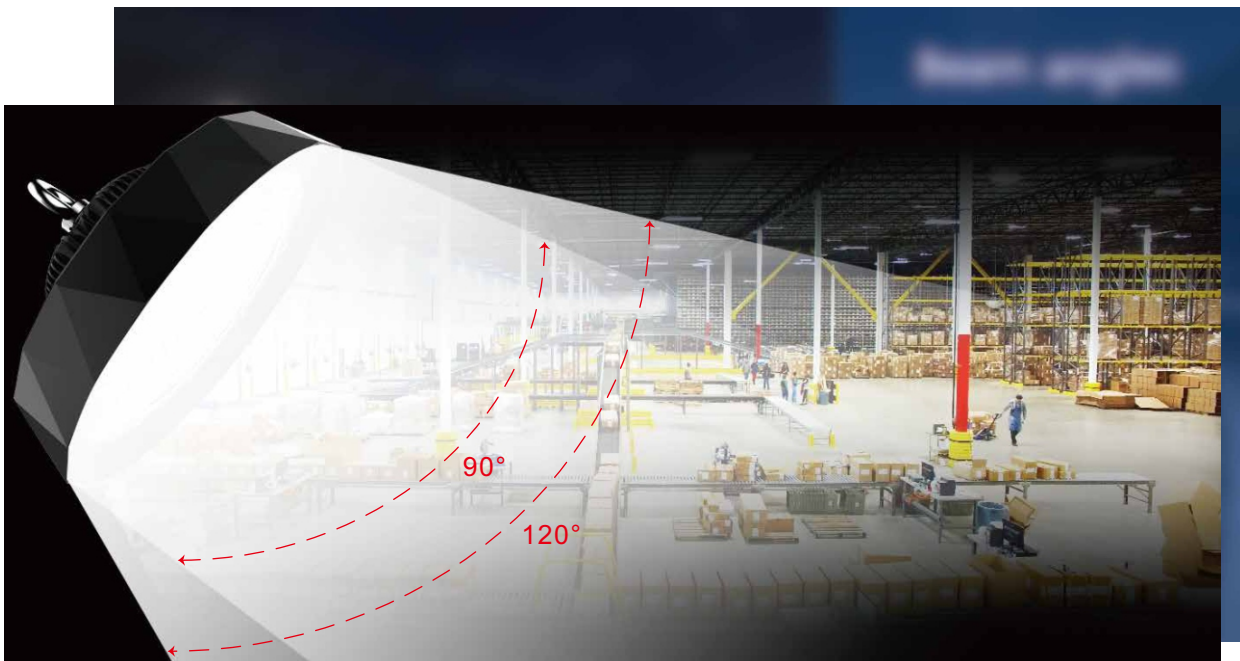
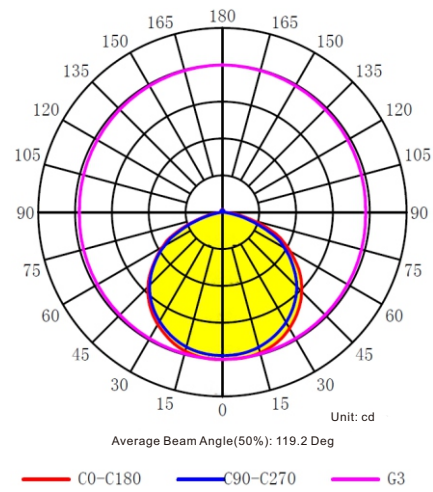
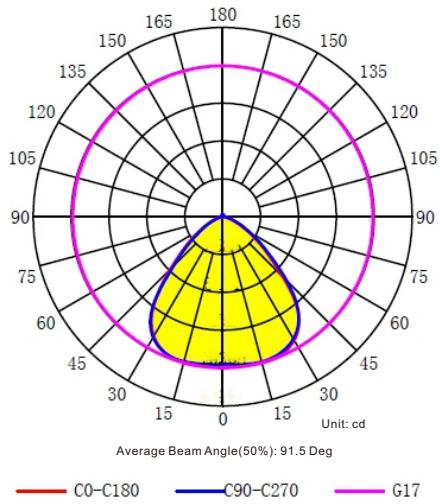
# DIMENSION(mm/inch)

Adjustable Angle Version

General Version



# PHOTOMETRIC DATA



# Installation Instructions

## UFO LED High Bay

### Important

READ INSTRUCTIONS CAREFULLY BEFORE INSTALLING. KEEP THIS INSTRUCTIONS FOR FUTURE REFERENCE

Fixtures must be wired in accordance with the National electrical code and all applicable local codes. Proper grounding is required for safety.

THIS PRODUCT MUST BE INSTALLED IN ACCORDANCE WITH THE APPLICABLE INSTALLATION CODE BY A QUALIFIED ELECTRICIAN WHO IS FAMILIAR WITH THE CONSTRUCTION AND OPERATION OF THE PRODUCT AND THE HAZARDS INVOLVED.

WARNING: Risk of fire or electric shock. LED High Bay Light installation requires knowledge of luminaires and electrical systems. Please contact an electrician.

WARNING: Risk of fire or electric shock. Suitable for wet locations. Make sure the power is off before the installation.

WARNING: Risk of fire or electric shock. Suitable for non-insulated surface and frame. DO NOT cover fixture with insulation liner or similar material.

WARNING: DO NOT install in unstable, loose or breakable surfaces.

WARNING: DO NOT let objects impact or exert force on the surface of the fixture.

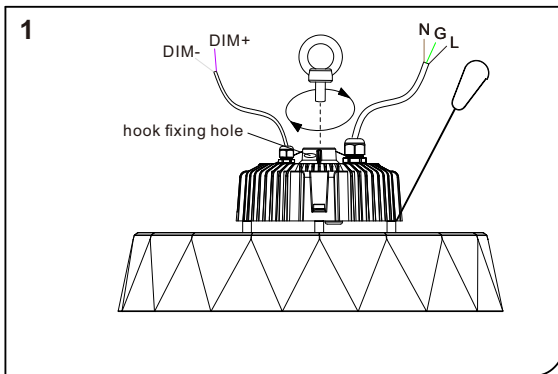
### Installation and Electrical Connection



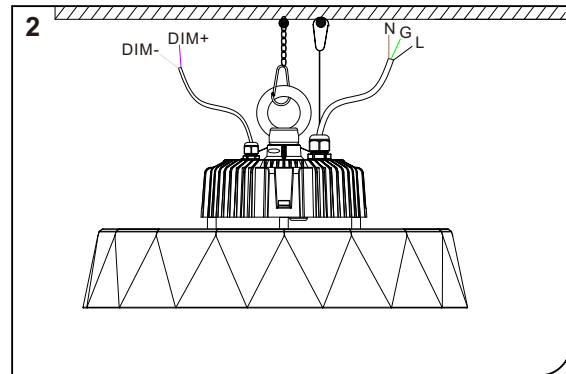
#### WARNING

RISK OF FIRE, ELECTRIC SHOCK OR PERSONAL INJURY  
Before installation, turn the power off.

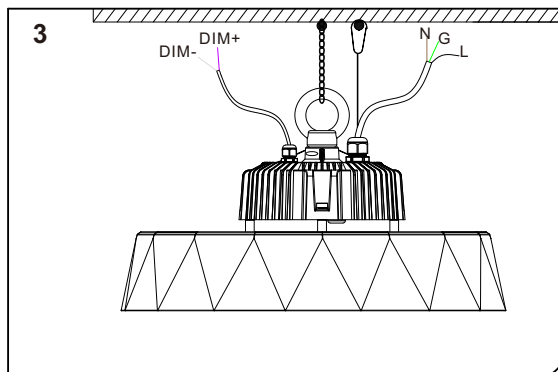
#### 1 The specific steps of installation(Hook Ring)



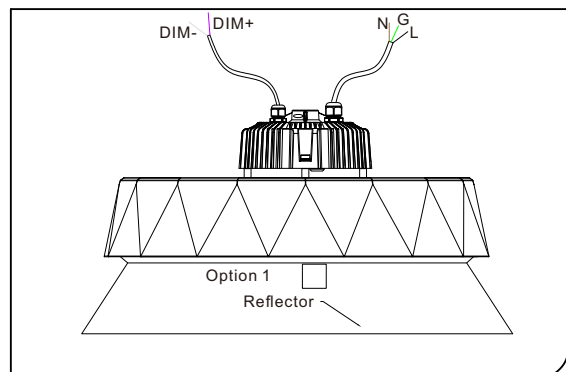
1. Take the fixture and hook ring out from carton box, tighten the hook in the direction of the arrow, and fix the hook screw.



2. Connect the chain and the safety rope to the installation position and adjust the lamp's height.



3. Connect the AC cable, black to L, white to N, green and yellow to grounding.

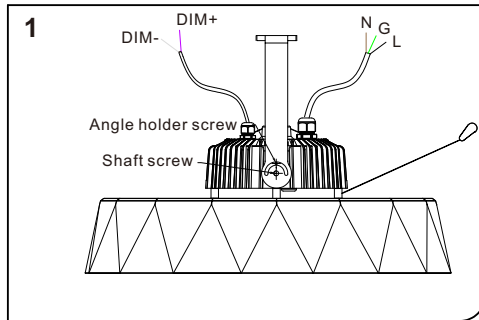


Option 1: Reflector is an extra option for users.

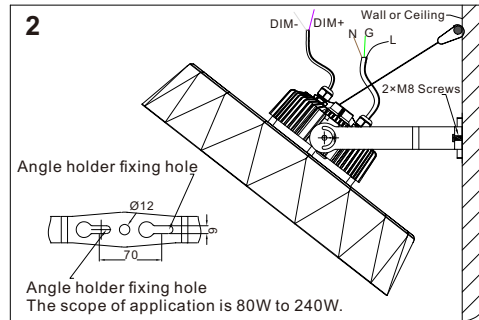
## Installation and Electrical Connection



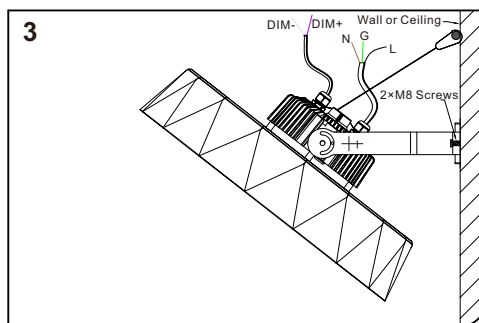
The specific steps of installation(Angle Holder Type)



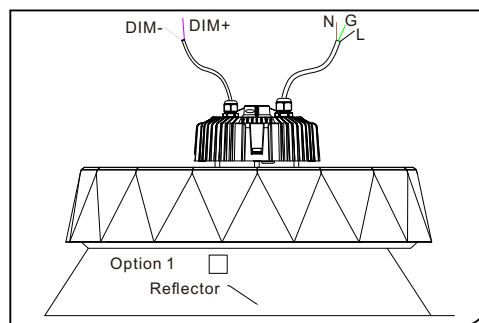
1. Tighten the shaft screw and angle holder screw, and install safety rope.



2. Install the angle holder and safety rope on the wall or ceiling, adjust the angle for users. (From 0 to 180 degrees).

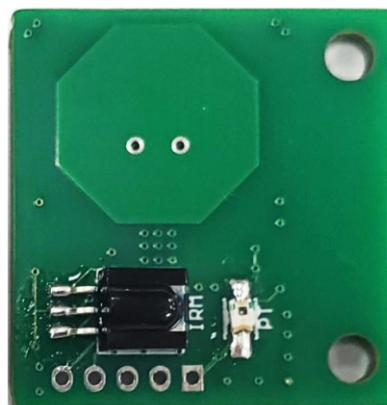
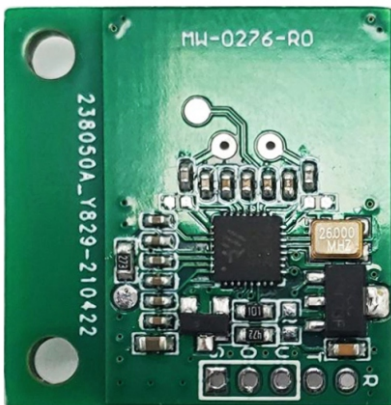


3. Connect the AC cable, black to L, white to N, green and yellow to grounding.



Option 1: Reflector is an extra option for users.

## Microwave Sensor



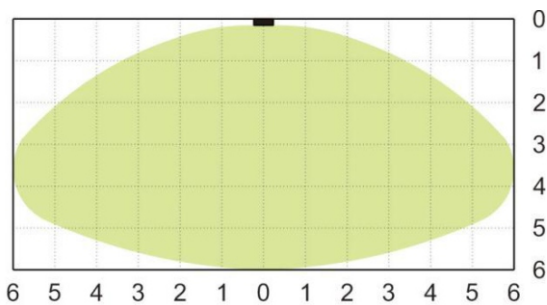
### FEATURES

1. This product uses Doppler technology to detect movement, and then automatically turns on or off the light according to your settings to achieve the purpose of convenience and energy saving.
2. Built-in MCU, higher integration; embedded multiple digital filter algorithm, higher stability, stronger anti-interference; stable output of high and low level, PWM and other control signals.
3. Small size and easy to install.
4. Can penetrate acrylic, glass and thin non-metallic materials.
5. It is not affected by temperature, humidity, airflow, dust, noise, brightness, etc., and has strong anti-interference ability.

# SPECIFICATIONS

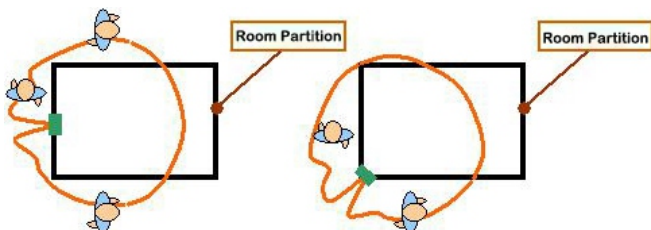
Model	MW-0276
Frequency	5.8GHz±75MHz
Voltage	12V±2V DC
Control Output	PWM output 10V
Working Current	25mA
Transmit Power	<1mW
Detection Range	8-12M
Induction Height	6-12M
Light Control	Refer to LC-36 Infrared Remote Control Specification
Delay Time	Refer to LC-36 Infrared Remote Control Specification
Standby Brightness	Refer to LC-36 Infrared Remote Control Specification
Operating Temperature	-25°C~+75°C
Storage Temperature	-30°C~+80°C
Service Life	Not Less Than 5 Years
Degree of Protection	IP20
Compliance	CE/TUV/ETL/FCC
Product Size	24MM×25MM(±6.7MM)

## DETECTION RANGE DIAGRAM



## NOTE

1. Microwave cannot penetrate metal. This product cannot be installed in enclosed metal lamp.
2. The power ripple of microwave power supply shall be less than 100mV.
3. Microwave induction responds to all moving objects, so the test environment should be far away from fans, moving machinery and equipment, flowing water pipes, etc.
4. Microwave will react differently to objects of different materials, sizes and moving speeds. For objects of the same size, the greater the density is, the easier it is to be detected.
5. The antenna should be higher than metal. It cannot be lower than or kept at the same height as the metal.
6. Microwave is penetrative, so a test can not be conducted in a small room.



7. The microwave antenna is directional, and the sensing effect in front of the antenna is the best.
8. Microwave products are not recommended to be used outdoors. Heavy rain will cause false triggering.
9. There should be no vibration in the installation position, and ensure that there are no fans, motor ducts and other vibration equipment around.
10. The installation distance between two microwave products should be greater than 0.5m, because co-frequency interference may occur.
11. Due to the influence of different light sources and the environment, there will be errors in the light control value.
12. Although the microwave can penetrate plastic, glass and other materials, it will cause a certain attenuation. Attenuation is related to material density.
13. It is recommended that a small amount of trial production be carried out before a large number of installations.
14. When used in a small enclosed space, multiple reflections of microwaves may cause false triggering. It is recommended to reduce the sensitivity.