



www.growlights.venas.com
cady@venas.com
(973)-960-1877 / (561)-419-8319

LED Foldable Grow Light Z Series



Custom Hanging Solutions



Dust and Water Resistant



Passive Cooling



2.8 $\mu\text{mol}/\text{J}$ | Fixture Efficacy
Maximize your production, harvest after harvest, while saving electricity with consistently high-efficiency LED light output.



Foldable Grow Light Z Series replicates the spectrum of our sun and outputs a broad, consistent and significant wavelength that can grow through entire plant life cycle.

It helps your plants to grow healthier and yield better harvests by producing high energy-efficient, low heating consumption and even light distribution.


It can be used in various different settings; including factories, greenhouses, cannabis growing facilities, and it is optimized for Greenhouse environments and is the best option for large scale greenhouse operations.


Cannabis

40%

Germination

24-30 inch
10h-12/per day



60%

Seedling

24 inch
12h-14/per day





Herbs

100%

Bloom

18 inch
10h-12/per day

100%





Tomatoes

100%

Veg

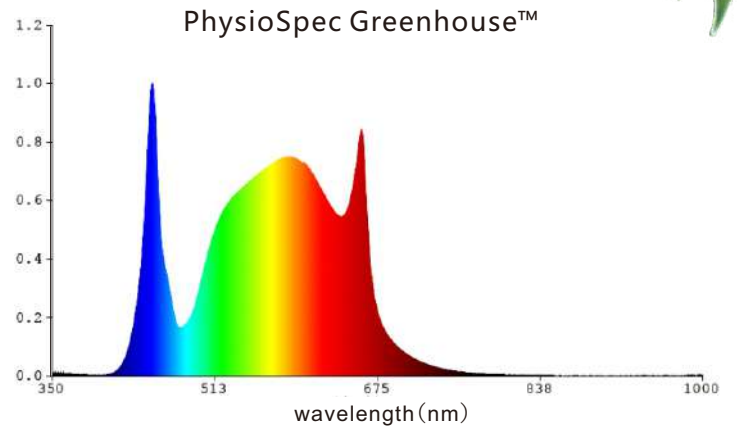
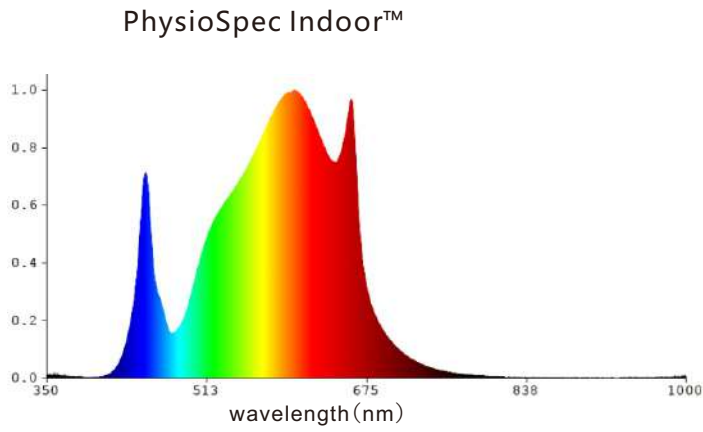
18-24 inch
16h-18/per day

100%

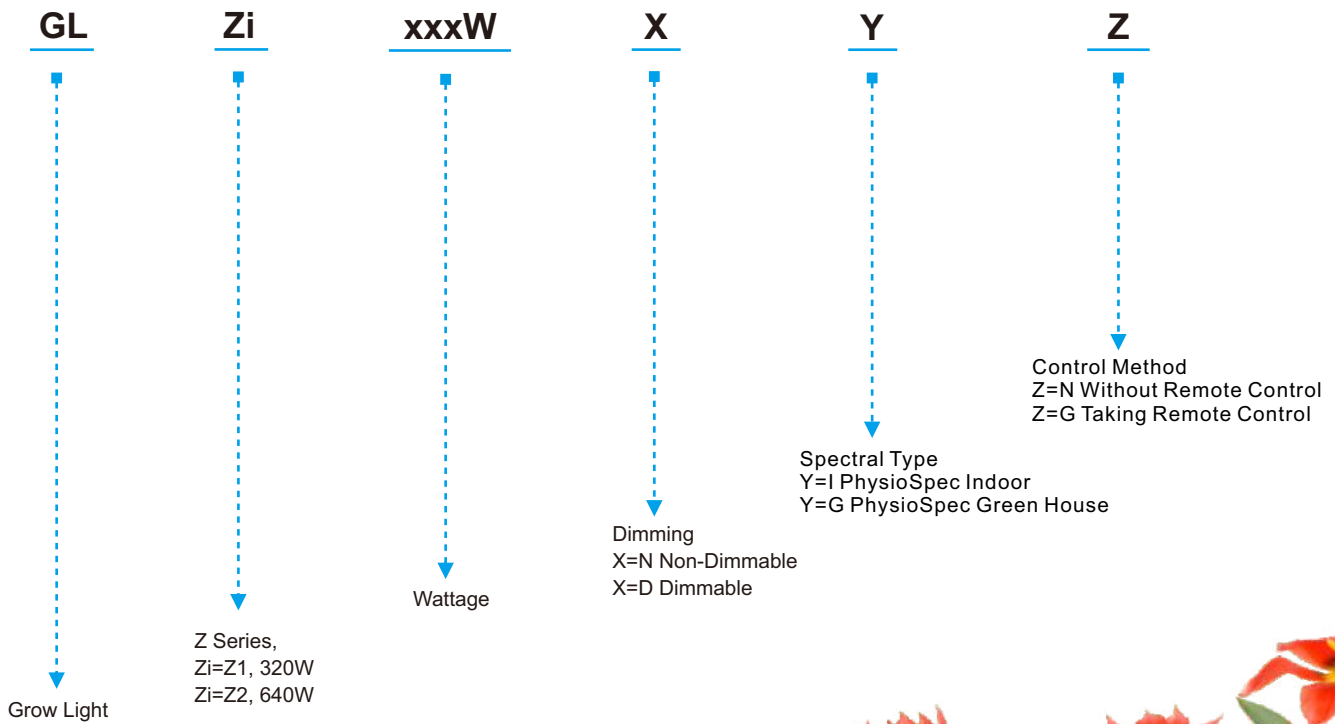



Vertical Farming

Available Spectrums



Ordering Information



Models



GL-Z1320W XYZ

THD :	<15%
Power :	320W
Input Voltage :	AC100-277V, 50-60 HZ
Efficacy :	2.8 $\mu\text{mol}/\text{J}$
PPF :	896 $\mu\text{mol}/\text{s}$
Max. Ambient Temperature :	-30°C to +35°C
Packing :	1590×400×150(mm)



GL-Z2640W XYZ

THD :	<15%
Power :	640W
Input Voltage :	AC100-277V, 50-60 HZ
Efficacy :	2.8 $\mu\text{mol}/\text{J}$
PPF :	1792 $\mu\text{mol}/\text{s}$
Max. Ambient Temperature :	-30°C to +35°C
Packing :	1590×600×150(mm)



GL-Z3800W XYZ

THD :	<15%
Power :	800W
Input Voltage :	AC100-277V, 50-60 HZ
Efficacy :	2.8 $\mu\text{mol}/\text{J}$
PPF :	2240 $\mu\text{mol}/\text{s}$
Max. Ambient Temperature :	-30°C to +35°C



Models



GL-Z4960W XYZ

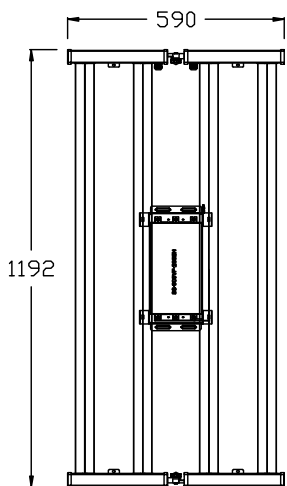
THD :	<15%
Power :	960W
Input Voltage :	AC100-277V, 50-60 HZ
Efficacy :	2.8 $\mu\text{mol}/\text{J}$
PPF :	2688 $\mu\text{mol}/\text{s}$
Max. Ambient Temperature :	-30°C to +35°C



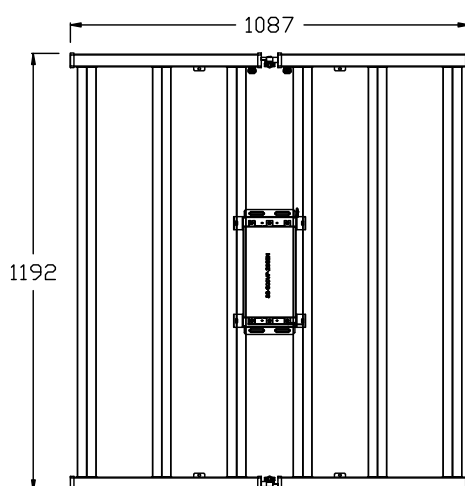
GL-Z51200W XYZ

THD :	<15%
Power :	1200W
Input Voltage :	AC100-277V, 50-60 HZ
Efficacy :	2.8 $\mu\text{mol}/\text{J}$
PPF :	3360 $\mu\text{mol}/\text{s}$
Max. Ambient Temperature :	-30°C to +35°C

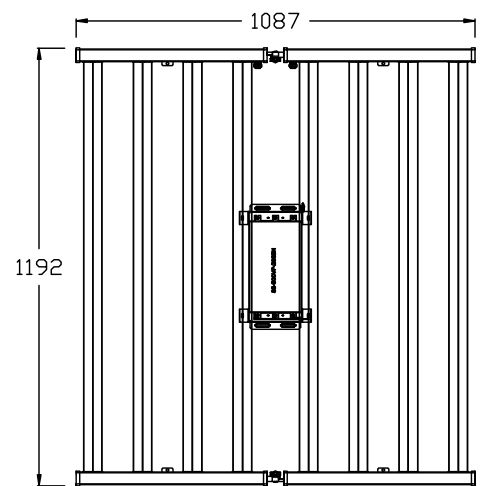
Dimension (mm)



320W



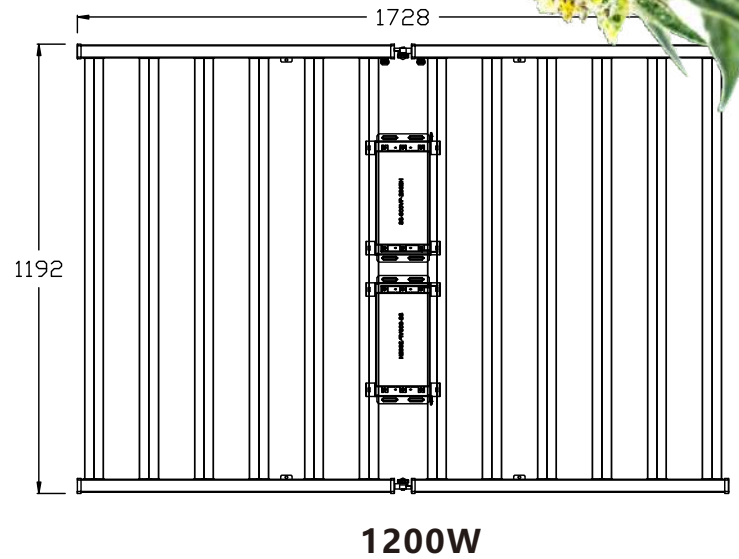
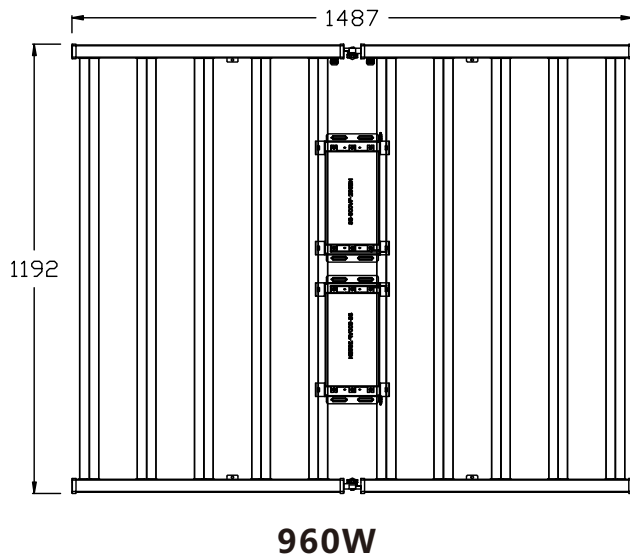
640W



800W



Dimension (mm)



Accessories

Three different plugs optional



NEMA L5-15P



NEMA L6-15P



NEMA L7-15P

▲ Default option: NEMA L7-15P
The length of the power cord: 1.5M



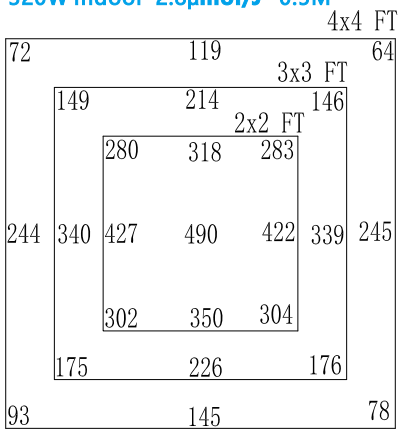
Perfect for all plant growth stage

Foldable

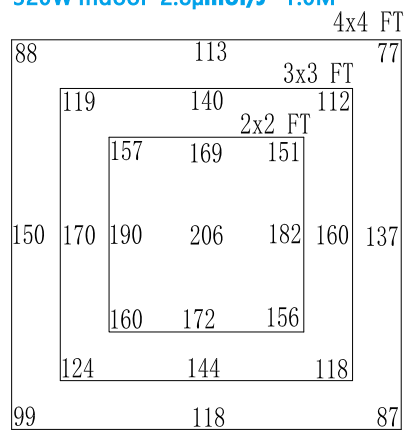


PPFD

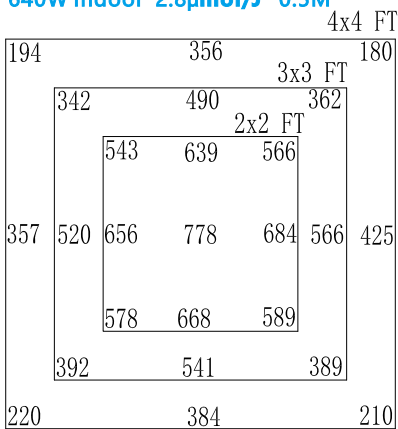
320W Indoor 2.8 μ mol/J 0.5M



320W Indoor 2.8 μ mol/J 1.0M



640W Indoor 2.8 μ mol/J 0.5M



640W Indoor 2.8 μ mol/J 1.0M

